



**Simple.
Clean.
Connected.**



**2018
Product
Guide**

Contents

Proportioning Dilution Systems

| | |
|-------------------|---|
| LavoDose Series | 3 |
| SimpleSink Series | 4 |

Warewash Dispensing Systems

| | |
|--------------|---|
| LavoWare | 5 |
| LavoWare Pro | 5 |

Drain Dosing Dispensing Systems

| | |
|----------|---|
| DrainPro | 6 |
|----------|---|

Foaming & Spraying Systems

| | |
|---------------------------|---|
| Handy Foam & Spray Series | 6 |
|---------------------------|---|

Laundry Systems

| | |
|---------------------|---|
| MiniWash Series | 7 |
| LavoWash OPL Series | 8 |

| | |
|-----------------------------------|----|
| Regional Sales Map & Contact Info | 9 |
| Warranty | 10 |

Lavo Solutions takes a unique approach to chemical dispensing technology for the cleaning and hygiene industry with new, connected and accurate solutions.

Proportioning Dilution Systems

LavoDose Series

- Fill small and large containers for all cleaning applications
- 1 and 4 product models available
- Flow rate at 1, 3.5, or 4 GPM
- Easy touch locking button or bottle slide activation
- Pistol-grip and tubing for remote actuation available
- Fill tube to minimize excess foaming is available for systems at 1 GPM flow rate
- Flex Gap or Air Gap are certified ASSE 1055, UPC, ANSI, ASME

| PART NUMBER | DESCRIPTION | BACKFLOW |
|---------------|---|----------|
| 100-LDS-11 | LavoDose Slide 1 product, 1 GPM | Flex Gap |
| 100-LDS-11AG | LavoDose Slide 1 product, 1 GPM | Air Gap |
| 100-LDPB-11 | LavoDose Button 1 product, 1 GPM | Flex Gap |
| 100-LDPB-11AG | LavoDose Button 1 product, 1 GPM | Air Gap |
| 100-LDPB-14 | LavoDose Button 1 product, 3.5 GPM | Flex Gap |
| 100-LDPB-14AG | LavoDose Button 1 product, 4 GPM | Air Gap |
| 100-LDS-41AG | LavoDose Slide 4 products, 1 GPM | Air Gap |
| 100-LDPB-44 | LavoDose Button 4 products, 3.5 GPM | Flex Gap |
| 100-LDPB-44AG | LavoDose Button 4 products, 4 GPM | Air Gap |
| 100-SL-10PL | SafeLock Cabinet - 1.0 Gal w/Plastic Lock | |
| 100-SL-05PL | SafeLock Cabinet - 0.5 Gal w/Plastic Lock | |



Did you know?

The cover of the LavoDose Series proportioners is a removable clear cover. We can print custom labels for you or provide a template where you can print custom labelling at your facility!

Proportioning Dilution Systems

SimpleSink Series

- 2 or 3 compartment sink fill dispenser
- Manual ball valve activation
- Flex Gap and Air Gap are certified ASSE 1055, UPC

| DESC. | FLEX GAP | AIR GAP |
|-----------------|--|--|
| PRESSURE: | 21PSI to 100PSI | 21PSI to 100PSI |
| GRAY VENTURI: | Flow Rate: 1 GPM | Flow Rate: 1 GPM |
| YELLOW VENTURI: | Flow Rate: 3.5 GPM | Flow Rate: 4 GPM |
| MATERIAL: | Ball valve – brass chrome plated Body - PP + FG O-ring - NBR Suction: PVC - PP + FC- FPM | Ball valve – brass chrome plated Body - PP + FG O-ring - NBR Suction: PVC - PP + FC- FPM |

| PART NUMBER | DESCRIPTION | BACKFLOW |
|-------------|------------------------|----------|
| 100-SS-14 | SimpleSink 100 | Flex Gap |
| 100-SS-14AG | SimpleSink Series 100A | Air Gap |
| 100-SS-24 | SimpleSink 200 | Flex Gap |
| 100-SS-24AG | SimpleSink 200A | Air Gap |



? Did you know?
Bulk discounts are available. Please contact your Lavo Sales Pro for more details.

Warewash Systems

LavoWare

- Nema 4X rated enclosure, Class 2 electrical isolation
- Inlet/outlet connections via 1/4" OD x 0.17" ID flexible tubing
- Suitable for undercounter and small batch dish machines.

| PART NUMBER | DESCRIPTION | POWER |
|-------------|---|-----------------------|
| 310-LW-DT | LavoWare Single Pump - Detergent | 20-240VAC 50/60Hz |
| 310-LW-RS | LavoWare Single Pump - Rinse | 20-240VAC 50/60Hz |
| 310-LW-DCP | LavoWare Single Pump - Conductivity Probe | 100-240VAC 50/60Hz |
| 310-LW-DD | LavoWare Single Pump - Solenoid Valve | 100-240VAC 50/60Hz |

LavoWare Pro

- Suitable for large conveyor and door type dishwashing machines.
- Time, speed and conductivity operating modes are available.
- Nema 4X rated enclosure, Class 2 electrical insulation
- Inlet/outlet connections via 1/4" OD x 0.17" ID flexible tubing

| PART NUMBER | DESCRIPTION | POWER |
|---------------|-----------------------|-----------------------|
| 320-LWP-LL02 | LavoWare Pro -2 pump | 100-240VAC 50/60Hz |
| 320-LWP-DL02 | LavoWare Pro - Dry | 100-240VAC 50/60Hz |
| 320-LWP-LLL03 | LavoWare Pro - 3 pump | 100-240VAC 50/60Hz |
| 320-LWP-DLL03 | LavoWare Pro - Dry | 100-240VAC 50/60Hz |
| 320-PB | Powder Bowl | n/a |



Drain Dosing

DrainPro

- Suitable for enzyme dosing applications, where intermittent time dosing is needed
- Nema 4X rated enclosure, Class 2 electrical insulation
- Inlet/outlet connections via 1/4" OD x 0.17" ID flexible tubing
- Digital timer

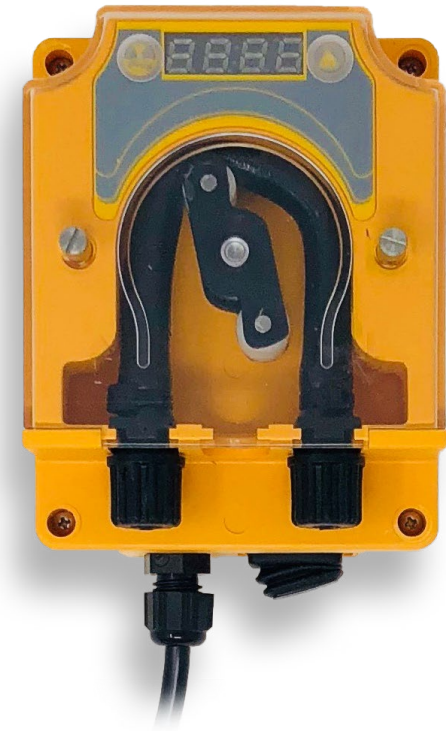
| PART NUMBER | DESCRIPTION | POWER |
|-------------|------------------------|---------------------|
| 300-DP-B | DrainPro Series 1 Pump | Latern Battery, 12V |
| 300-DP-ACP | DrainPro Series 1 Pump | 100-240VAC 50/60Hz |

Foaming & Spraying Systems

Handy Foam & Spray Series

- Portable surface cleaning units
- 1 product + rinse
- Fully interchangeable modular components

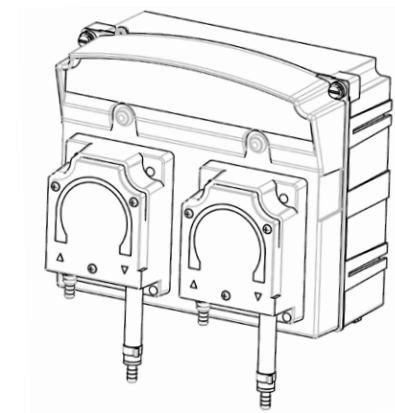
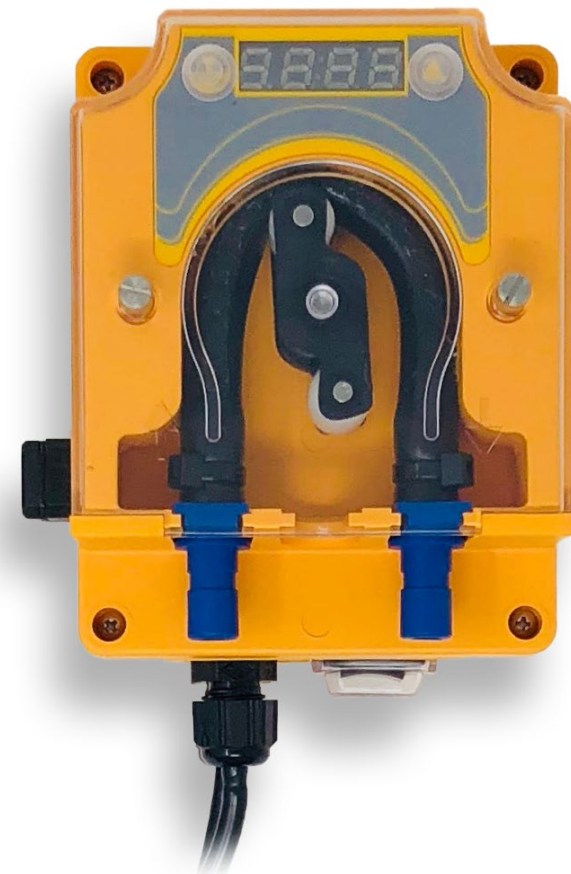
| PART NUMBER | DESCRIPTION | TANK SIZE |
|-------------|---|-----------|
| 400-HF-04 | HandyFoam Series portable system, blue gun | 0.4 Gal |
| 400-HS-04 | HandySpray Series portable system, blue gun | 0.4 Gal |
| 400-HF-07 | HandyFoam Series portable system, blue gun | 0.7 Gal |
| 400-HS-07 | HandySpray Series portable system, blue gun | 0.7 Gal |



MiniWash Series

- Nema 4X rated enclosure, Class 2 electrical insulation
- Suitable for top load washing machines up to 50lbs.
- Fixed flow rate at 10 oz/min.
- Pump dosing time from 0 to 10 minutes by manual calibration
- Independent pump delay time from 0 to 5 minutes by potentiometer
- Lock-out time from 0 to 75 minutes selectable by dipswitch
- Trigger signal: from 20 to 230VAC
- Remote control and chemical level available on demand
- Power supply: 115-208-230VAC selectable by jumper on circuit

| PART NUMBER | DESCRIPTION | POWER |
|--------------|--|--------------------|
| 200-MW100 | MiniWash 100 | 100-240VAC 50/60Hz |
| 200-MW100-RC | Remote control for MiniWash 100 with 8ft cable included | |
| 200-MW200 | MiniWash 200 | 100-240VAC 50/60Hz |
| 200-MW200-RC | Remote control for MiniWash 200 with 16ft cable included | |



Did you know?

Changing squeeze tubes is vital to the performance of your equipment. We recommend changing squeeze tubes regularly and adding a touch of lubrication to reduce friction and ensure consistent chemical dosing. The frequency of changing squeeze tubes should depend on how many loads your operation runs on a daily and monthly basis.

LavoWash OPL Series

- Suitable for OPL washer machines from 35 to 600lbs
- Nema 4X rated enclosure, Class 2 electrical insulation
- Models available with 3, 4, 5 and 6 pumps with variable flow rate
- Pump can be programmed in seconds
- 9 formula capability standard; upgrade to optional controller with additional features and 20 formula capacity.
- 3 Products can be dosed simultaneously
- Pumps dosing time and delay time adjustable from 0 to 255 seconds
- Optional Chemical Level Control (Out of Product Sensor) is available.
- OPL Remote Control and Signal Interface are included.
- Flush kit not included, available as an option



| PART NUMBER | DESCRIPTION | POWER |
|-------------|--|--------------------|
| 210-LW400 | LavoWash OPL 4 pump - Adj. 17/34/51/67oz/min | 100-240VAC 50/60Hz |
| 210-LW500 | LavoWash OP 5 pump - Adj. 17/34/51/67oz/min | 100-240VAC 50/60Hz |
| 210-LW600 | LavoWash OPL 6 pump - Adj. 17/34/51/67oz/min | 100-240VAC 50/60Hz |
| 210-LAU-FM6 | Flush Manifold 6 Port - LavoWash OPL | 24V |
| 210-LAU-FM4 | Flush Manifold 4 Port - LavoWash OPL | 24V |

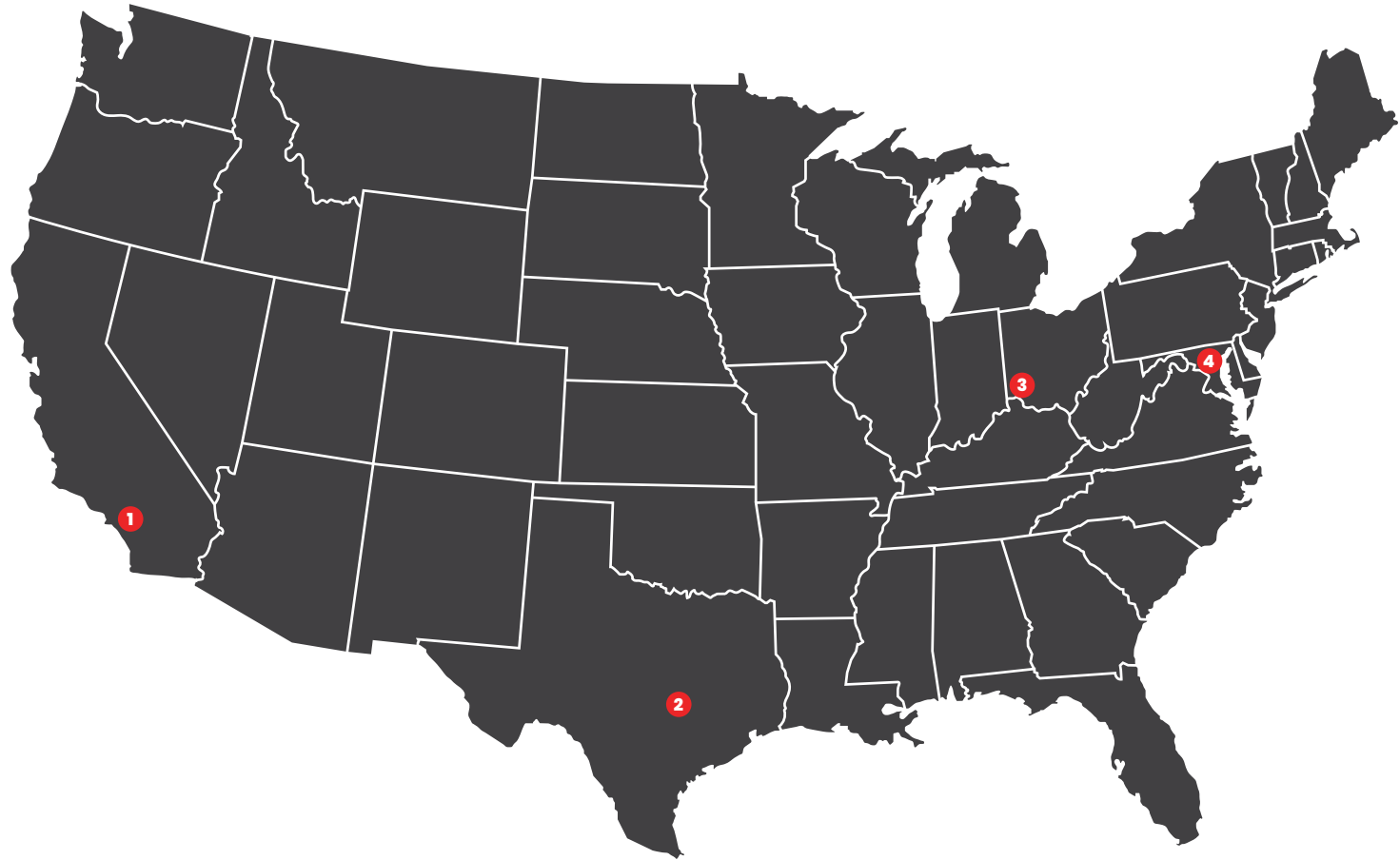


Did you know?

Over planning for a laundry installation will make sure it is a success. Make sure you have plenty of tubing for the chemical intake and discharge; lances to drop in your chemical bucket; hose clamps or tie wraps for hose connections; a fully charged power drill; and safety equipment to make sure your eyes and hands are protected during the installation. If you'd like us to help you spec out your installation, just let us know!

Locations

Find Your Regional Sales Professional



1 Lavo Solutions, LLC
Worldwide Headquarters
23192 Verdugo, Suite D
Laguna Hills, CA
(949) 377-1250

2 Giovanni Camarena
Austin, TX
(512) 508-3643

3 Campbell Dodson
Cincinnati, OH
(513) 309-3221

4 Bob Guilday
Baltimore, Maryland
(410) 661-0329

Warranty

Company warrants its Goods to be free from material defects in material and workmanship for a period of one year except: i. when Goods have been modified following delivery and/or subject to improper handling, storage, installation, operation, or maintenance unless those modifications have been authorized in writing by Seller. ii. when an item is purchased by Company as a component part of the Goods, except to the extent to which such item or items are covered by the warranty, if any, of the original manufacturer. iii. when an item which is a component part of the product has been furnished by Buyer. iv. no warranty of a component part shall extend beyond the warranty period of the device in which such component part is incorporated. b. There is no implied warranty of merchantability or of fitness for particular purpose and there are no warranties of any nature except as set forth in paragraph 3 herein. Any claim by Buyer made pursuant to Company's warranty must be made in writing. Company shall have the right to inspect the Goods claimed to be defective and shall have the right to determine the cause of such alleged defect. All Goods replaced or repaired by Company under its warranty shall be replaced or repaired F.O.B. Company's facility. Buyer must notify Company, in writing, within fifteen (15) days from receipt of Goods of any obvious defect in the product, or shortages, or Company shall have no obligation to correct such defect. Company shall have the option of re-inspection at Buyer's plant or its own before allowing or disallowing Buyer's claim. Defects that do not impair service shall not be a cause for rejection or recovery under any warranty. Buyer assumes full responsibility for the use and application of the product. Buyer accepts Company's design and material selection and

specifications in placing this order unless other specifications are agreed to in writing by both parties prior to the manufacture of Goods by Company. Statements and data relating to Products on Seller's literature and website are not intended to define the performance of the product in actual usage or in combination with other equipment or processes. These statements should not be used by Customer solely as an indication of performance or suitability for specific applications or uses.

THE ABOVE WARRANTIES ARE THE SOLE AND EXCLUSIVE WARRANTIES MADE BY SELLER WITH RESPECT TO ALL PRODUCTS AND SERVICES.

Components and spare parts such as O-rings, squeeze tubes, roller blocks and other plastic components are considered to be wear parts and are not warranted. Seller shall have no warranty or liability for product that was damaged during shipment, product that is not being used in its recommended use, product that is not operated in accordance with the operating manual and procedures, product that was not properly installed, product used in a manner that is inconsistent with its designed purpose, product that is subject to a power surge or similar event, products that fail due to usage of a non Lavo Solutions replacement or spare part or product that was not maintained in accordance with recommended maintenance programs.

Visit lavosolutions.com/LAVO-T&C-02-2018.pdf for full terms and conditions.