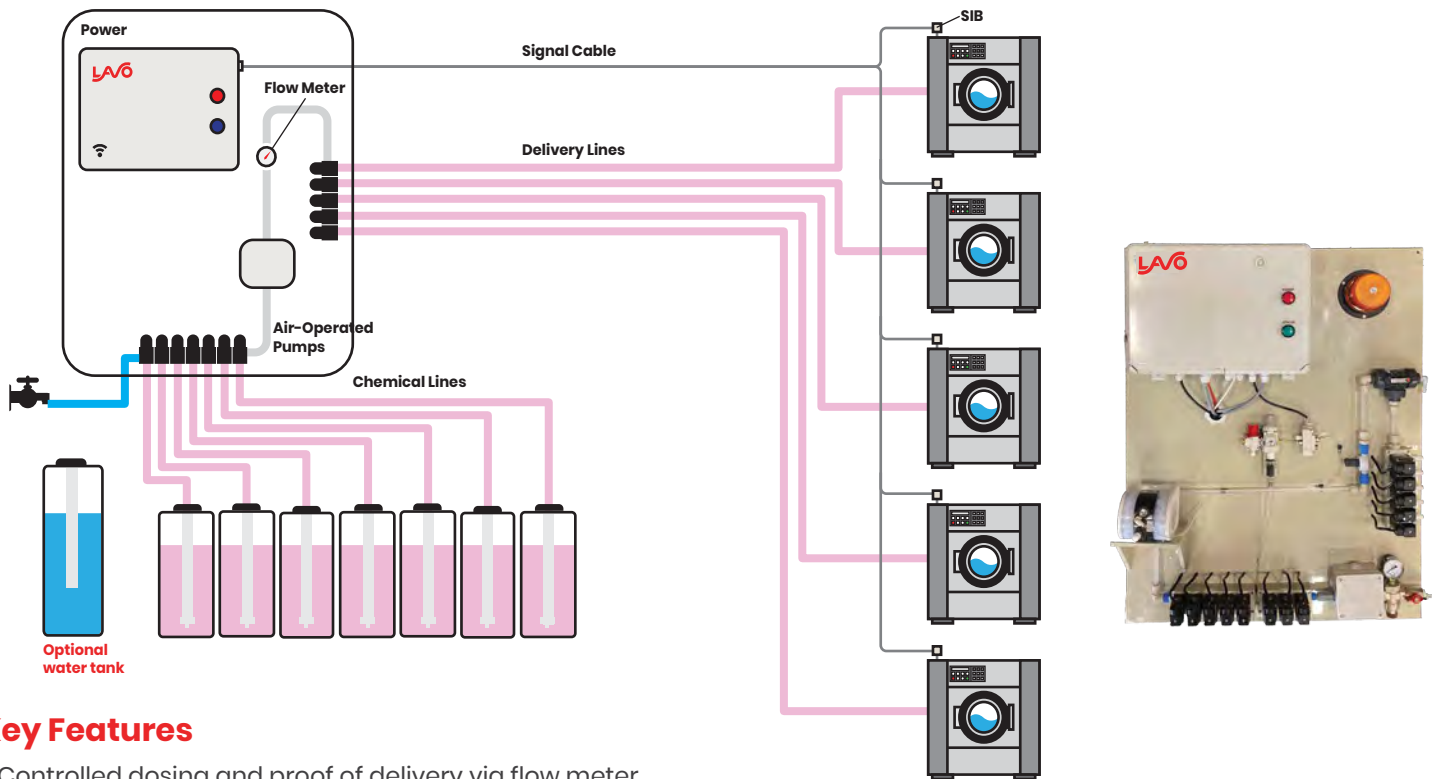


Connected Multi-washer Solutions

Lavo Multi-Link Pro

LAVO Simple. Clean. Connected.



Key Features

- Controlled dosing and proof of delivery via flow meter technology
- Connects up to 5 washers and 8 chemicals on one panel
- 24/7 remote monitoring and access
- Remote calibration, programming and troubleshooting
- Cellular connectivity for uninterrupted service and safest data transmission
- Data encryption is standard
- Air assisted flush available
- Installation hardware kits available

Spare Parts

- Pneumatic or Electromagnetic pump
- 24 VDC air distributor valve
- 24 VDC electric distribution valve

Specifications

- Pump output: 1.3 gal/min (5 L/min)
- Voltage 120/240 VAC 50/60Hz
- Tubing recommendation: 3/8" ID (inlet / outlet)
- Isolated inputs 24 VDC up 230 VAC
- IP65 rated electronics enclosure
- Pneumatic or electromagnetic pumps
- Cellular based 3G / LTE
- Recommended max washer capacity: 450lbs
- Water connection: 1/2" hose barb
- Air connection: 1/4"OD push to connect



Education



Nursing / Senior Care



Healthcare Co-Op



Industrial Linen & Uniform

Lavo Tunnel Link Pro

Wash Extractors



Key Features

- Controlled dosing and proof of delivery via flow meter technology
- Connects up to 15 wash extractors
- 24/7 remote monitoring
- Remote calibration, programming and troubleshooting
- Cellular connectivity for uninterrupted service and safest data transmission

Specifications

- Pump output; 1.3 Gal/min (5 L/min)
- Voltage: 120/240 VAC 50/60 Hz
- Tubing recommendation: 3/8" ID (inlet / outlet)
- Isolated inputs 24 VDC up 230 VAC
- Cellular based - 3G / LTE
- IP 65 rated electronics enclosure
- Pneumatic or electromagnetic pumps
- Recommended maximum washer capacity - 900 lbs.
- Water connection - 1/2" hose barb x 1/2" MPT
- Air connection - 1/4" OD Push to Connect

Spare Parts

- Pneumatic or Electromagnetic pump
- 24 VDC air distributor valve
- 24 VDC electric distribution valve



Education



Nursing /
Senior Care



Hotels / Motel
OPL Laundry



Healthcare
Co-Op



Industrial
Linen & Uniform